



LIVE TO PLAY LIVE®

ROTOVIBE®

JD4S ROTOVIBE

Dunlop
JIMDUNLOP.COM

92500809007revD

JD4S ROTOVIBE®

DESCRIPTION

- Rotating speaker simulator recreates “shimmering” tones
- Popularized by many artists, including Jimi Hendrix
- Select Chorus or Vibrato modes with adjustable intensity

POWER

The JD4S Rotovibe is powered by one 9-volt battery (remove bottom plate to install), a 9-volt AC adapter such as the Dunlop ECB003/ECB003E, or a DC Brick™ power supply.

DIRECTIONS

- Run a cable from your guitar to the JD4S’ INSTRUMENT jack and another from the JD4S’ AMPLIFIER jack to your amplifier.
- To turn the pedal on/off, push the toe of the pedal down until you feel the “click” of the FOOTSWITCH.
- Push the EFFECT SELECTOR switch “in” (green LED) for chorus effect or “out” (red LED) for vibrato effect.
- Rotate the INTENSITY knob clockwise to increase intensity of effect or counterclockwise to decrease it.
- Press the ROCKER pedal down with your toe to increase rate of effect, or press down on the ROCKER pedal with your heel to decrease rate of effect.

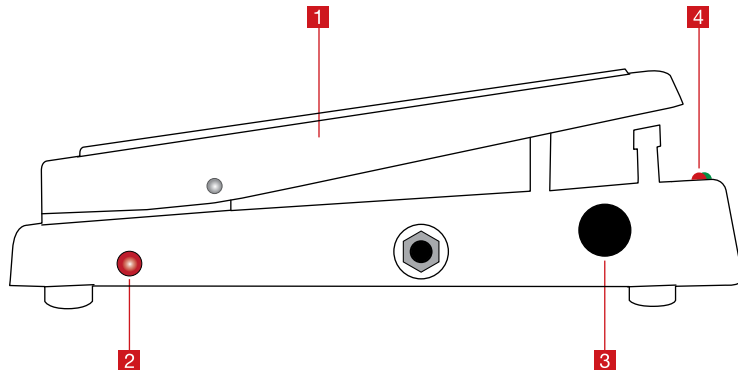
SPECIFICATIONS

Input Impedance	470 kΩ
Output Impedance	6 kΩ
Noise Floor*	
Vibrato	-98 dBV
Chorus	-99 dBV
Rate Control	0.55 Hz to 9.5 Hz
Bypass	Buffered
Current Draw	11 mA
Power Supply	9 volts DC

*A-weighted

CONTROLS

- 1 ROCKER pedal controls rate of chorus and vibrato effects
- 2 EFFECT SELECTOR switch toggles between chorus (green LED) and vibrato (red LED)
- 3 INTENSITY knob controls intensity of effects
- 4 FOOTSWITCH toggles pedal on/bypass (green or red LED indicates on)



DUNLOP MANUFACTURING, INC.
P.O. BOX 846 BENICIA, CA 94510 U.S.A.
TEL: 1-707-745-2722 FAX: 1-707-745-2658